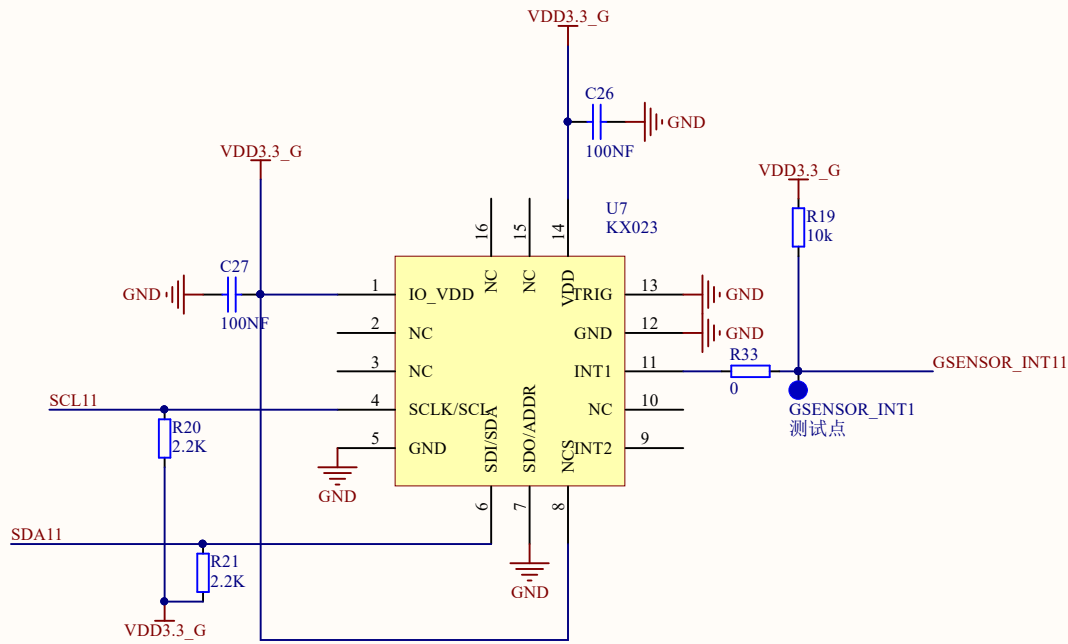
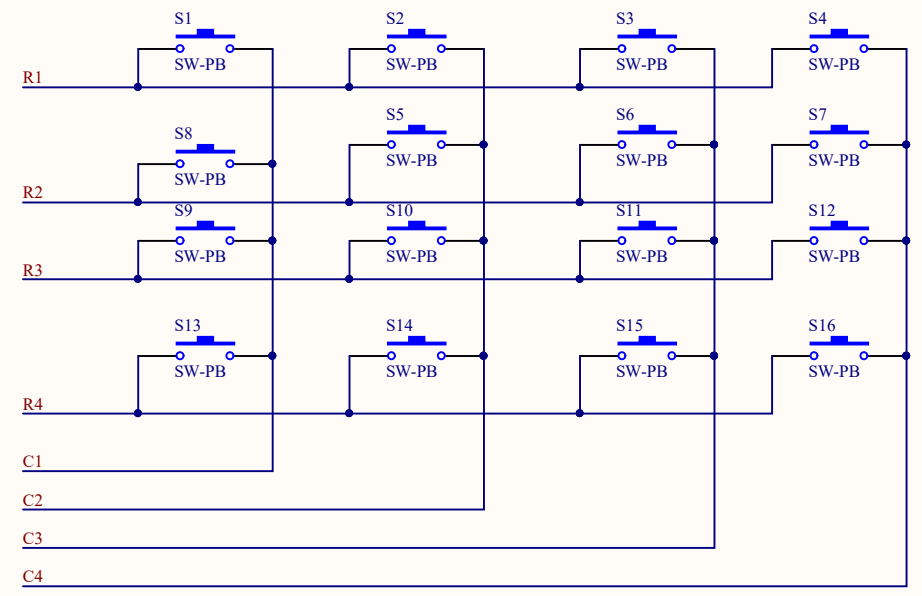
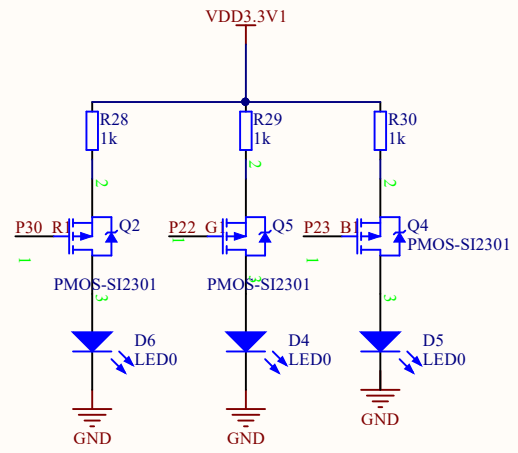


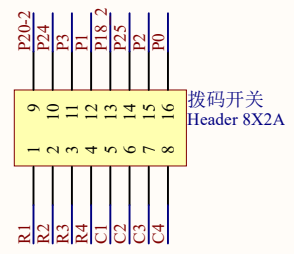
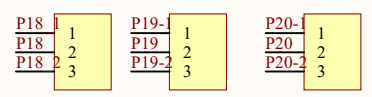
Title		
Size	Number	Revision
A4		
Date:	2019/7/1	Sheet of
File:	C:\Users\...\ALLPUT.SchDoc	Drawn By:



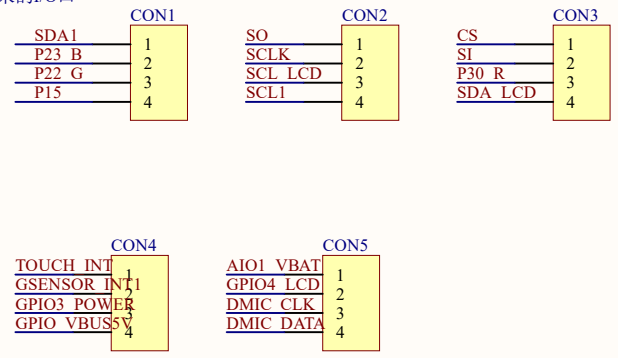
Title		
Size	Number	Revision
A4		
Date:	2019/7/1	Sheet of
File:	C:\Users\...\GSENSOR.SchDoc	Drawn By:



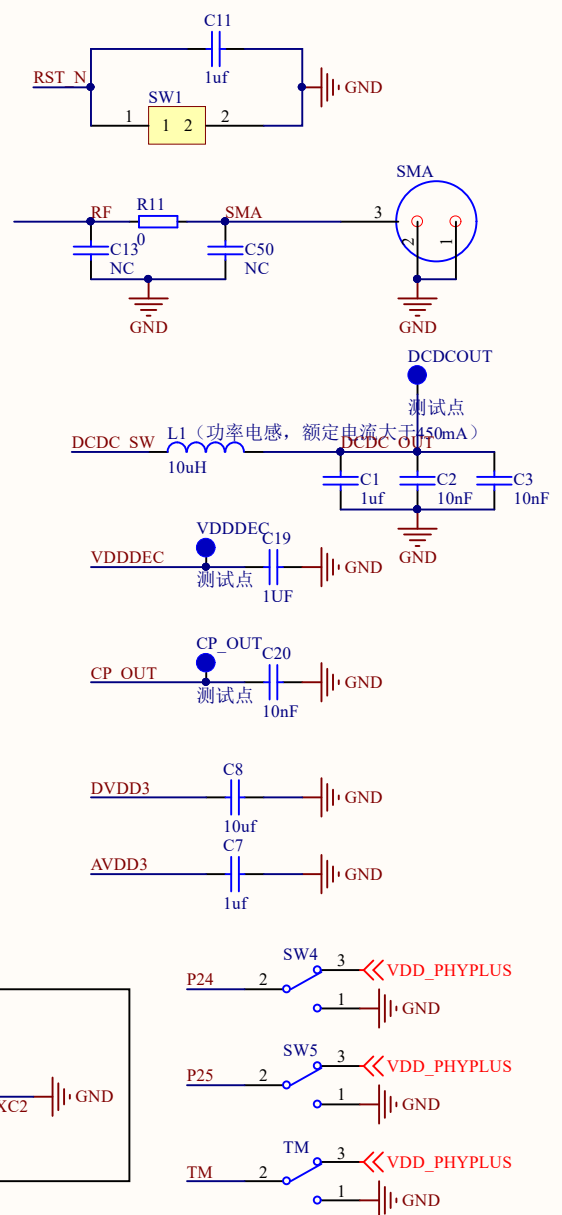
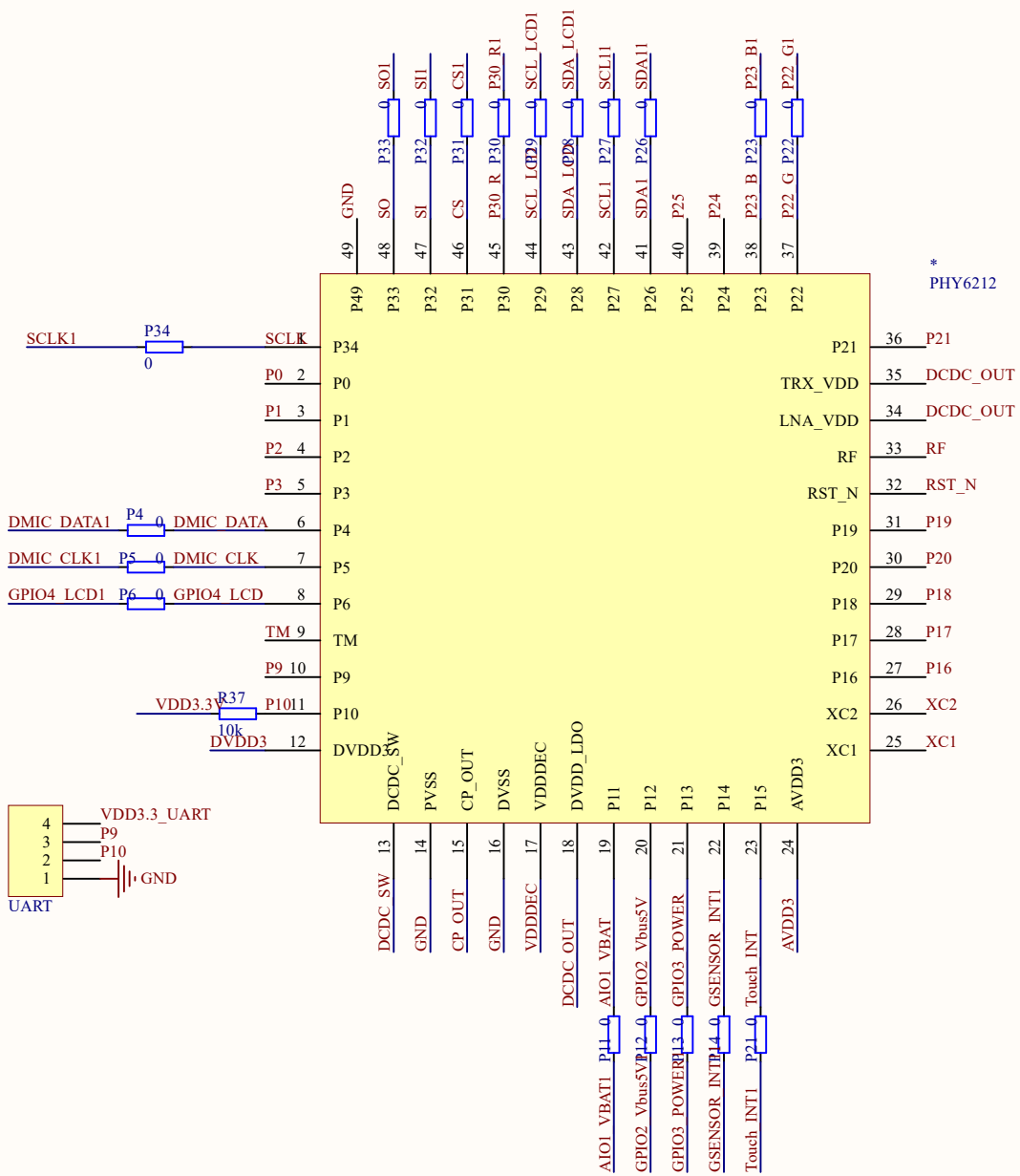
AMIC和拨码开关共用 I / O



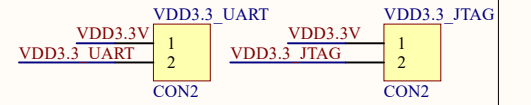
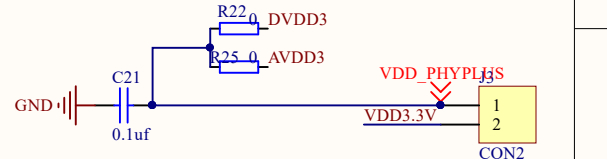
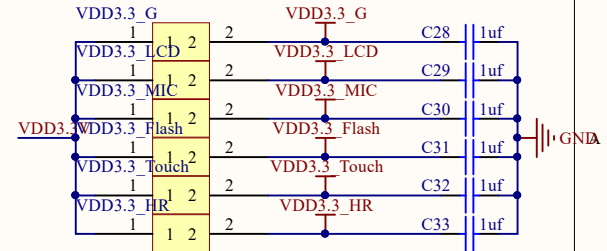
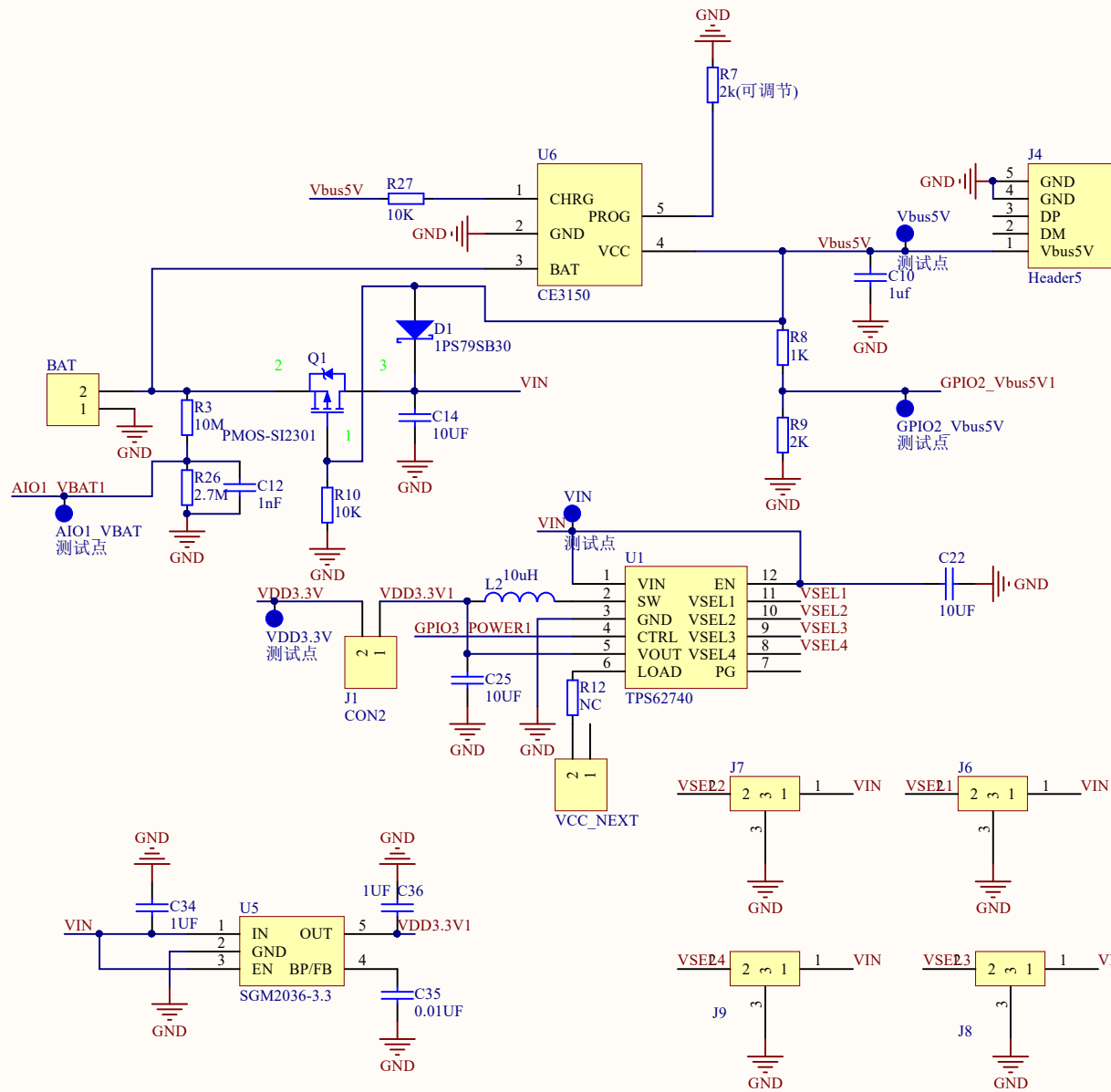
拉出来的I/O口



Title		
Size	Number	Revision
A4		
Date:	2019/7/1	Sheet of
File:	C:\Users\...\LED_KEYBOARD.SchDoc	Drawn By:



Title		
Size	Number	Revision
A4		
Date:	2019/7/1	Sheet of
File:	C:\Users\...\Phy6212_48.SchDoc	Drawn By:



AIO_VBAT 1 电压电量检测
 GPIO2_Vbus5V1 检测充电

Title		
Size	Number	Revision
A4		
Date:	2019/7/1	Sheet of
File:	C:\Users\...\Power.SchDoc	Drawn By:

Comment	Description	Designator	Footprint	LibRef	Quantity
PHY6212				PHY6212	1
Header 3	Header, 3-Pin	1, 2, 3	HDR1X3	Header 3	3
3225		16M	3225 - duplicate	3225	1
XTAL	Crystal Oscillator	32.768K	3215 32.768k	XTAL	1
测试点		AI01_VBAT, CP_OUT, DCDCOUT, GPIO2_Vbus5V, GSENSOR_INT1, Vbus5V, VDD3.3V, VDDDEC_VIN	测试点	测试点	9
Header 2	Header, 2-Pin	BAT_VCC_NEXT	HDR1X2	Header 2	2
1uf		C1, C7, C11, C19, C34, C36	C0402	电容贴片	6
10nF		C2, C3, C20	C0402	电容贴片	3
0.1uf		C4, C5, C16, C20	R0402	电容贴片	4
1.5pf (容值可调) 1-50PF		C6	R0402	电容贴片	1
10uf		C8	C0402	电容贴片	1
100nf (容值可调)		C9	R0402	电容贴片	1
1uf		C10, C18, C24, C28, C29, C30, C31, C32, C33	R0402	电容贴片	9
1nF		C12	R0402	电容贴片	1
NC		C13, C50, R5, R12	R0402	电容贴片, 电容贴片, 电阻贴片, 电阻贴片	4
10UF		C14, C22, C25	C0603	电容贴片	3
10uf		C15	R0402	电容贴片	1
2.2nf		C17, C23	R0402	电容贴片	2
0.1uf		C21	C0603	电容贴片	1
100NF		C26, C27	C0402	电容贴片	2
0.01UF		C35	C0402	电容贴片	1
Header 4	Header, 4-Pin	CON1, CON2, CON3, CON4, CON5	HDR1X4	Header 4	5
1P5795B30	Schottky Diode	D1	1P5795B30	D Schottky	1
SPM0423HM4H-WB		D2, D3	Dmic	Dmic	2
LED0	Typical INFRARED GaAs LED	D4, D5, D6	LED0603	LED0	3
CON2	Header, 2-Pin	J1, J3, VDD3.3_JTAG, VDD3.3_UART	HDR1X2	Header 2	4
Header5		J4	Micro USB	Header5	1
connect1x3		J6, J7, J8, J9	HDR1X3	connect1x3	4
JTAG		JTAG1	JTAG - duplicate	JTAG	1
10uH	电感	L1 (功率电感, 额定电流大于450mA)	SMD2520	电感	1
10uH	电感	L2	R0603	电感	1
AMIC	Microphone	L51	HDR1X2	Mic1	1
J1	Header, 4-Pin	OLED 插件口	HDR1X4	Header 4	1
0		P4, P5, P6, P11, P12, P13, P14, P21, P22, P23, P26, P27, P28, P29, P30, P31, P32, P33, P34, R6, R11, R22, R24, R25, R33, R40	R0402	电阻贴片	26
UART	Header, 4-Pin	P2	HDR1X4	Header 4	1
PMOS-Si2301	P-Channel Power MOSFET	Q1, Q2, Q4, Q5	Pmos si2301	PMOS-2	4
NMOS-2	P-Channel Power MOSFET	Q3	NMOS 2300	PMOS-2	1
2K		R1, R9, R13	R0402	电阻贴片	3
10k		R2, R4, R10, R19, R27, R32, R34, R37	R0402	电阻贴片	8
10M		R3	R0402	电阻贴片	1
2k(可调节)		R7	R0402	电阻贴片	1
1K		R8, R28, R29, R30	R0402	电阻贴片	4
200		R15, R17	R0402	电阻贴片	2
4.7K		R16, R23	R0402	电阻贴片	2
2.2K		R20, R21, R36	R0402	电阻贴片	3
2.7M		R26	R0402	电阻贴片	1
100k		R31, R38	R0402	电阻贴片	2
2.2Kk		R35	R0402	电阻贴片	1
SW-PB	Switch	S1, S2, S3, S4, S5, S6, S7, S8, S9, S10, S11, S12, S13, S14, S15, S16	SPST-2	SW-PB	16
SMB		SMA	SMA	SMB	1
CONNECT1X2		SW1	BOTTOM	CONNECT1X2	1
SW-SPDT	SPDT Subminiature Toggle Switch, Right Angle Mounting, Vertical Actuation	SW4, SW5, TM	HDR1X3	SW-SPDT	3
触控点		TP	测试点	测试点	1
TP562740		U1	TP562740	TP562740	1
GD25Q16B		U2	SOP8	GD25Q16B	1
EM7028		U3	EM7028	EM7028	1
TTP233D-HA6		U4	SOT23-6 TTP233	TTP233D-HA6	1
SGM2036-3.3		U5	SOT-23-5(CE3150)	SGM2036-3.3	1
CE3150		U6	SOT-23-5(CE3150)	CE3150	1
KX023		U7	KX023	GSENSOR	1
CON4		UART	HDR1X4	CON4	1
CONNECT1X2		VDD3.3_Flash, VDD3.3_G, VDD3.3_HR, VDD3.3_LCD, VDD3.3_MIC, VDD3.3_Touch	HDR1X2	CONNECT1X2	6
Header 8X2A	Header, 8-Pin, Dual row	拨码开关	HDR2X8_CEN	Header 8X2A	1